

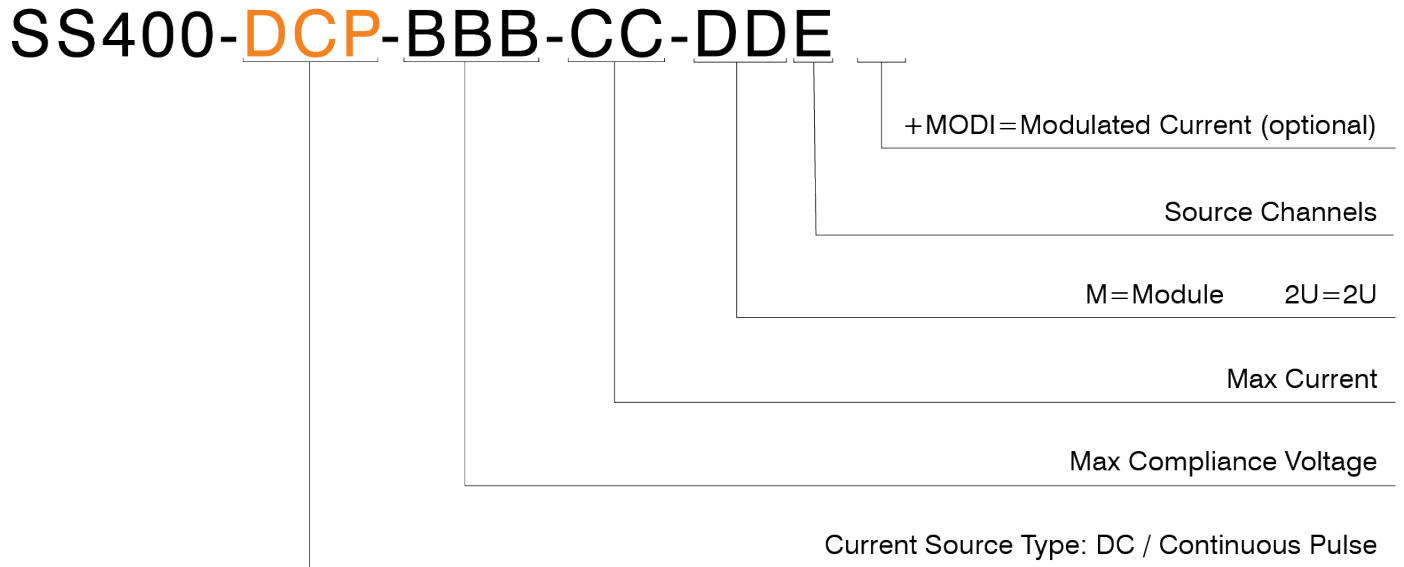
## DC / Continuous Pulse Current Source Selector Guide

| Max Current (A) | Max Compliance Voltage |      |      |      |      | Source Channels | Max Power (W) |       | Min Pulse Width |
|-----------------|------------------------|------|------|------|------|-----------------|---------------|-------|-----------------|
|                 | 50V                    | 100V | 200V | 300V | 400V |                 | Per Channel   | Total |                 |
| 0.5             | ✓                      | ✓    | ✓    | ✓    | ✓    | 1, 2, 4, 8      | 200           | 1600  | 10μs            |
| 2               | ✓                      | ✓    | ✓    | ✓    | ✓    | 1, 2, 4, 8      | 800           | 6400  | 10μs            |
| 3               | ✓                      | ✓    | ✓    | ✓    | ✓    | 1, 2, 4, 8      | 1000          | 8000  | 10μs            |
| 4               | ✓                      | ✓    | ✓    | ✓    | ✓    | 1, 2, 4, 8      | 1000          | 8000  | 10μs            |
| 5               | ✓                      | ✓    | ✓    |      |      | 1, 2, 4, 8      | 1000          | 8000  | 10μs            |
| 8               | ✓                      | ✓    | ✓    |      |      | 1, 2, 4         | 1600          | 6400  | 10μs            |
| 10              | ✓                      | ✓    | ✓    |      |      | 1, 2, 4         | 1600          | 6400  | 10μs            |
| 16              | ✓                      | ✓    | ✓    |      |      | 1, 2            | 3200          | 6400  | 10μs            |
| 20              | ✓                      | ✓    | ✓    |      |      | 1, 2            | 3200          | 6400  | 10μs            |
| 32              | ✓                      | ✓    | ✓    |      |      | 1               | 6400          | 6400  | 10μs            |
| 40              | ✓                      | ✓    | ✓    |      |      | 1               | 6400          | 6400  | 10μs            |
| 60              | ✓                      |      |      |      |      | 1               | 3000          | 3000  | 10μs            |

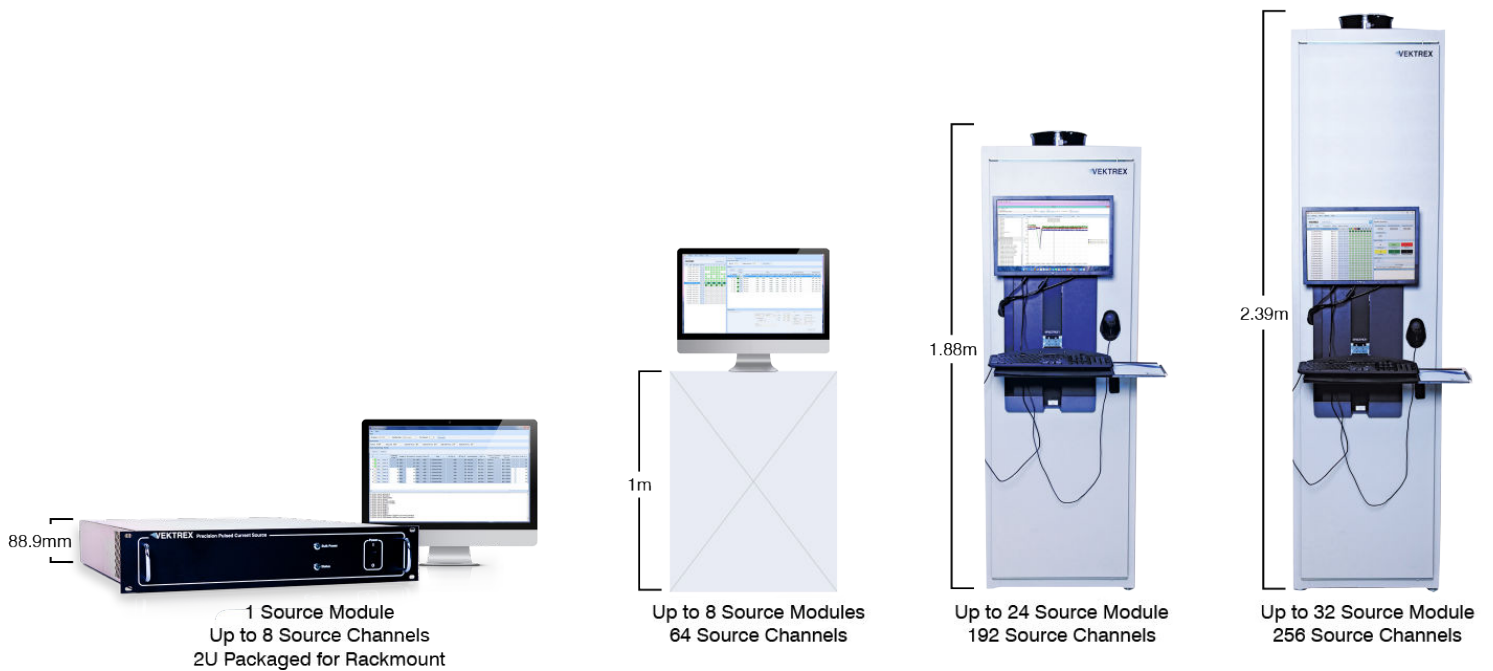
Use this table/selector guide to select your current source and determine your model number. Instructions available on the next page.

# How to Select Your Current Source

On the previous page, find the columns labeled “Max Current”, “Max Compliance Voltage”, and “Source Channels” to select your current source. To determine your model number, use the model number guide below.



## Vektrex System Configuration Options



If you would like assistance selecting the optimal current source for your application, please contact [sales@vektrex.com](mailto:sales@vektrex.com).